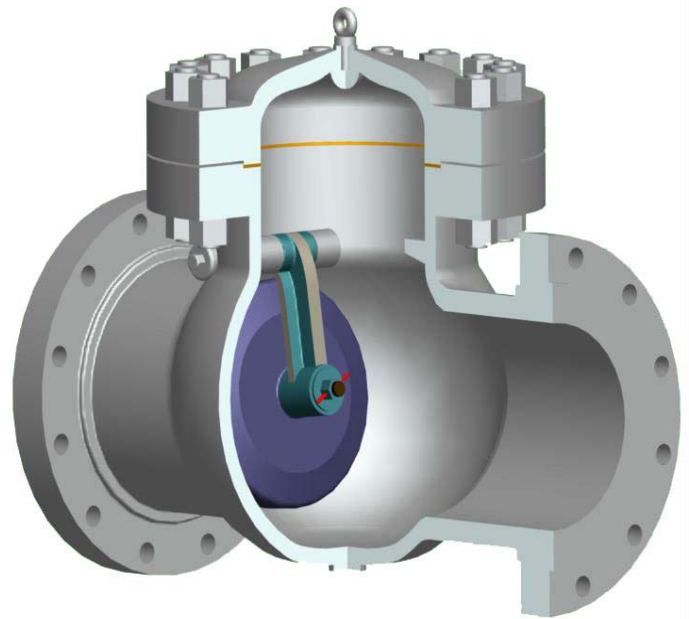


## SWING CHECK VALVE

### Standards



■ **Design and Manufacture**

BS 1868  
API 6D  
AWWA  
ASME B16.34

■ **Inspection and Test**

API 598  
API 6D  
ISO 5208

■ **Connection ends dimension**

ASME B16.5  
ASME B16.47  
ASME B16.25

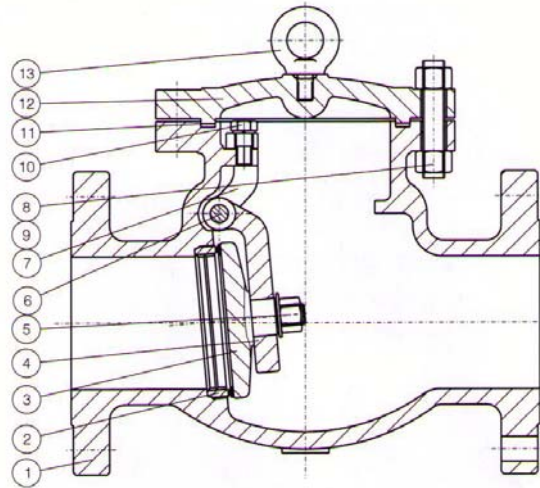
■ **Face to face dimension**

ASME 16.10  
API 6D

### Pressure Test

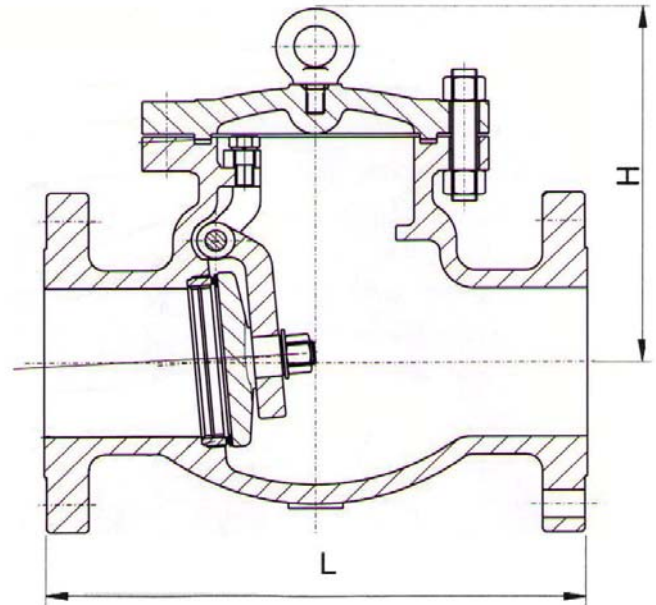
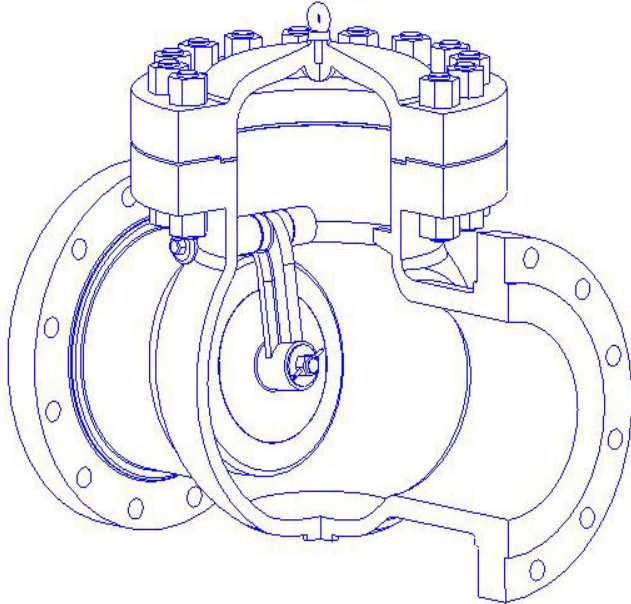
Class	Shell Test (MPa)	High Pressure Seal Test (MPa)	Low Pressure Seal Test (MPa)
150	3.0	2.2	
300	7.5	5.5	
600	15.0	11.0	0.6
900	22.5	16.5	
1500	37.5	27.5	

### Parts list and specification



Item	Description		Material
1	Body	A351 CF8	A351 CF8M
2	Seat ring	A351 CF8	A351 CF8M
3	Disc	A351 CF8	A351 CF8M
4	Arm	A351 CF8	A351 CF8M
5	Nut	A194 8	A194 8M
6	Arm pin	A182 F304	A182 F316
7	Yoke	A351 CF8	A351 CF8M
8	Bonnet nut	A194 8	A194 8M
9	Bonnet bolt	A193 B8	A193 B8M
10	Bolt	A193 B8	A193 B8M
11	Gasket	304+Graphite	316+Graphite
12	Bonnet	A351 CF8	A351 CF8M
13	Eye bolt	A181	A181

### Dimensions and weights



Size		Dimension (mm)														
NPS	DN	Class 150			Class 300			Class 600			Class 900			Class 1500		
		L	d	H	L	d	H	L	d	H	L	d	H	L	d	H
2	50	203	51	132	267	51	144	292	51	170	368	47	200	368	47	210
2½	65	216	64	147	292	64	169	330	64	178	419	57	220	419	57	240
3	80	241	76	176	318	76	210	356	76	246	381	73	280	470	70	303
4	100	292	102	198	356	102	260	432	102	290	457	98	320	546	92	340
5	125	330	127	255	400	127	295	508	127	320	559	121	360	673	111	380
6	150	356	152	320	445	152	326	559	152	360	610	146	400	705	136	430
8	200	495	203	380	533	203	380	660	200	430	737	190	480	832	174	500
10	250	622	254	440	622	254	440	787	248	502	838	234	560	991	222	590
12	300	699	305	480	711	305	520	838	298	554	965	282	632	1130	263	660
14	350	787	337	530	838	337	540	889	327	595	1029	311	680	1257	289	710
16	400	864	387	580	864	387	588	991	375	680	1130	354	780	1384	330	820
18	450	978	438	618	978	438	670	1092	419	778	1219	400	880			
20	500	978	489	657	1016	489	720	1194	464	970	1321	444	1050			
24	600	1295	591	760	1346	591	850	1397	559	1100	1549	533	1200			
26	650	1295	633	840	1346	633	920									
28	700	1448	684	920	1499	684	1150									
30	750	1524	735	980	1594	735	1260									

The information herein is subject to change without notice.